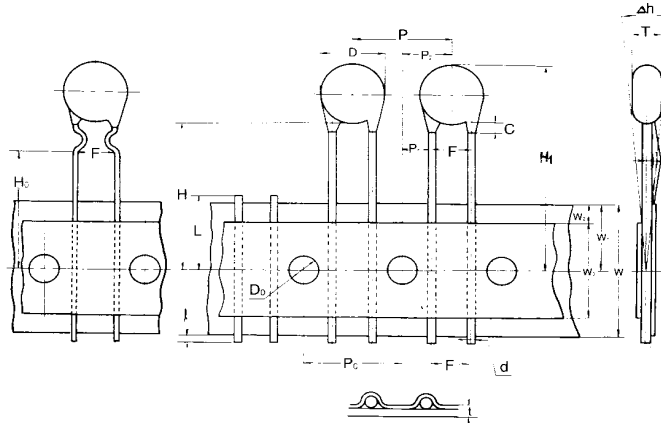




CERAMIC DISC CAPACITOR

Radial Leads Taping Specifications

These radial taped ceramic disc capacitors are designed especially for automatic insertion. The available types for radial taped disc are diameters 11.0mm and under.



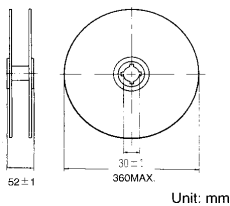
Unit: mm

Item	Symbol	Specification		Remarks
		Value	Tolerance	
Body Width	D	110	Max.	
Body Thickness	T	3.5	Max.	
Lead-wire diameter	d	0.6	+0.06 -0.05	
Pitch of component	P	12.7	± 1.0	
Feed hole pitch	P0	12.7	± 0.3	Cumulative pitch error: 1.0mm/20pitch
Feed hole center to lead	P1	3.85	± 0.7	To be measured at bottom of clinch
Lead-to-lead distance	F	5.0	± 0.8	
Component alignment, F-R	h	0	± 0.2	
Tape width	W	18.0	+1.0 -0.5	
Hold-down tape width	W0	11.0	Min.	
Hole position	W1	9.0	+0.75 -0.5	
Hole-down tape position	W2	3.0	Max.	
Height of component from Tape center	H	20.0	+1.0 -0.5	For Straight Lead Type
	H0	16.0	± 0.5	For Kinked Lead Type
Component height	H1	32.25	Max.	
Lead-wire protrusion	l	2.0	Max.	
Feed hole diameter	D0	4.0	± 0.3	
Total tape thickness	T	0.7	± 0.2	Ground paper: 0.5± 0.1mm
Length of snapped lead	L	11.0	Max.	
Coating rundown on leads	C	1.5	Max.	

Anchor with a stapler when the tape is cut or completed. It is accepted that up to three parts may become detached for the tape.

REEL PACKAGE

(2,500 Capacitors per Reel)



BOX PACKAGE

(2,000 Capacitors per Box)

