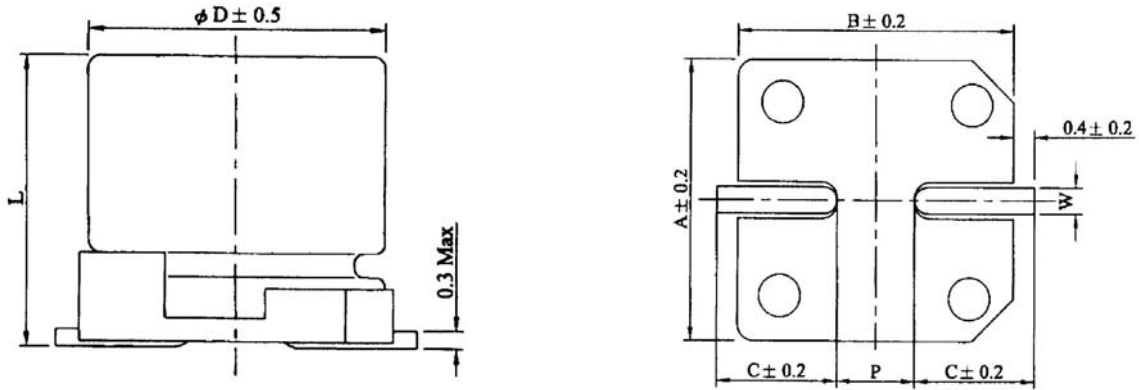




ALUMINUM ELECTROLYTIC CAPACITOR

TYPE VL

SURFACE MOUNT TYPE, 105°C 2000 HOURS, 6MM HEIGHT



Unit: mm

D ϕ	L	A	B	C	W	P ± 0.2
4.0	5.7 \pm 0.2	4.3	4.3	2.0	0.5 to 0.8	1.0
5.0	5.7 \pm 0.2	5.3	5.3	2.3	0.5 to 0.8	1.5
6.3	5.7 \pm 0.2	6.6	6.6	2.7	0.5 to 0.8	2.0

CASE SIZE (DxL mm) AND PERMISSIBLE RIPPLE CURRENT (mA rms, at 105°C 120 Hz):

W.V.	6.3V		10V		16V		25V		35V		50V	
	DxL	R.C.	DxL	R.C.	DxL	R.C.	DxL	R.C.	DxL	R.C.	DxL	R.C.
0.1											4x5.7	2
0.22											4x5.7	3
0.33											4x5.7	4
0.47											4x5.7	5
1											4x5.7	10
2.2											4x5.7	16
3.3											4x5.7	18
4.7							4x5.7	13	4x5.7	15	5x5.7	22
10					4x5.7	16	5x5.7	23	5x5.7	25	6.3x5.7	30
22					5x5.7	30	6.3x5.7	38	6.3x5.7	50		
33					6.3x5.7	40	6.3x5.7	46				
47			6.3x5.7	43	6.3x5.7	50	6.3x5.3	56				
100	6.3x5.7	61										