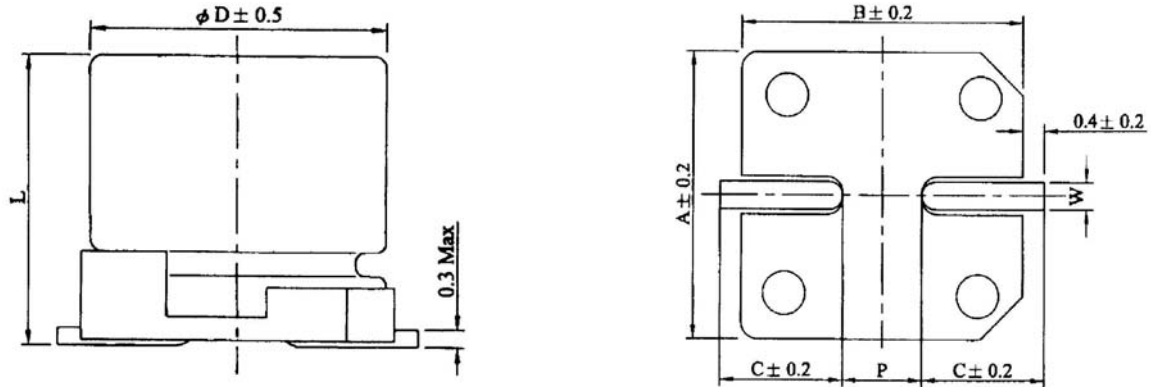




ALUMINUM ELECTROLYTIC CAPACITOR

TYPE VB

SURFACE MOUNT TYPE, BI-POLAR



Unit: mm

D ϕ	L	A	B	C	W	P ± 0.2
4.0	5.3 ± 0.2	4.3	4.3	2.0	0.5 to 0.8	1.0
5.0	5.3 ± 0.2	5.3	5.3	2.3	0.5 to 0.8	1.5
6.3	5.3 ± 0.2	6.6	6.6	2.7	0.5 to 0.8	2.0

CASE SIZE (DxL mm) AND PERMISSIBLE RIPPLE CURRENT (mA rms, at 85°C 120 Hz):

W.V.	6.3V		10V		16V		25V		35V		50V	
	DxL	R.C.	DxL	R.C.	DxL	R.C.	DxL	R.C.	DxL	R.C.	DxL	R.C.
0.1											4x5.3	2.3
0.22											4x5.3	3.3
0.33											4x5.3	4.1
0.47											4x5.3	4.9
1.0											4x5.3	7.2
2.2									4x5.3	10	5x5.3	14
3.3							4x5.3	13	5x5.3	17	5x5.3	17
4.7					4x5.3	14	5x5.3	20	5x5.3	21	6.3x5.3	24
10			4x5.3	18	5x5.3	26	6.3x5.3	35	6.3x5.3	35		
22	5x5.3	27	6.3x5.3	40	6.3x5.3	45						
33	6.3x5.3	45	6.3x5.3	50	6.3x5.3	55						
47	6.3x5.3	54										