

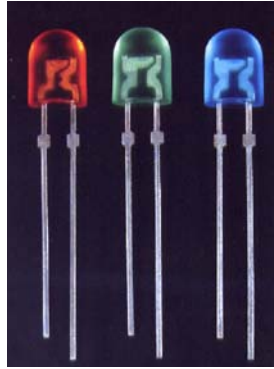


LED

Full Color H54 Oval LED

FEATURES:

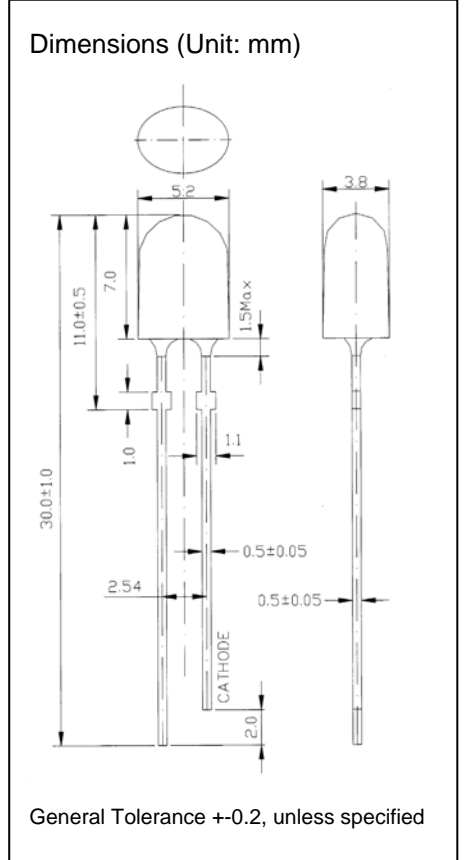
- Viewing angle 110° / 45°
- For LED Screen
- UV resistant epoxy



Absolute Max Ratings (Ta=25°C):

| Parameter | Symbol | Value | |
|------------------------------|--------|--------------|-----|
| | | Green / Blue | Red |
| Power Dissipation (mW) | PD | 100 | 125 |
| DC Forward Current (mA) | IF | 30 | 50 |
| Pulsed Forward Current* (mA) | IFP | 100 | 150 |
| Reverse Voltage (V) | VR | 5 | 5 |
| Operating Temperature (°C) | Topr | -30 ~ +80 | |
| Storage Temperature (°C) | Tstg | -40 ~ +100 | |

* Duty 1/10 Pulse Width 0.1ms



Electrical Optical Characteristics (Ta=25°C):

| Part Number | Luminous Intensity (mcd) | | | Forward Voltage (V) | | | Dominant Wavelength (nm) | | | Reverse Current (μA) | |
|-------------|--------------------------|------|--------|---------------------|-----|--------|--------------------------|-----|--------|----------------------|-------|
| | Min | Max | IF(mA) | Type | Max | IF(mA) | Min | Max | IF(mA) | Max | VR(V) |
| H54URDP-S2 | 400 | 720 | 20 | 2.0 | 2.2 | 20 | 620 | 625 | 20 | 5 | 5 |
| | | | | | | | 625 | 630 | | | |
| H54FDP-S1 | 1500 | 2650 | 20 | 3.2 | 3.6 | 20 | 520 | 525 | 20 | 10 | 5 |
| | | | | | | | 525 | 530 | | | |
| H54BDP-S1 | 350 | 620 | 20 | 3.2 | 3.6 | 20 | 465 | 470 | 20 | 10 | 5 |
| | | | | | | | 470 | 475 | | | |

Luminous Intensity Rank (mcd)

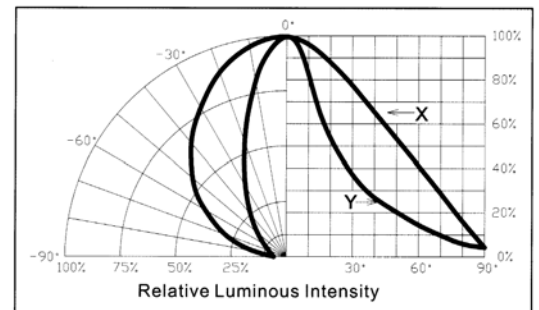
| Red | | Green | | Blue | |
|------|---------|-------|-----------|------|---------|
| Rank | Data | Rank | Data | Rank | Data |
| F | 400-535 | K1 | 1500-2000 | E1 | 350-460 |
| F1 | 460-620 | L | 1750-2300 | F | 400-535 |
| G | 535-720 | L1 | 2000-2650 | F1 | 460-620 |

Package:

Bulk: 500 pcs/bag

Taping: 2,000 pcs/reel

Directive Characteristics



Precaution in handling:

1. It is advised to keep 4.0mm minimum clearance between the resin and the soldering point when soldering.
2. The user is required to handle with care for the Blue and Green LED's which are sensitive to ESD.