

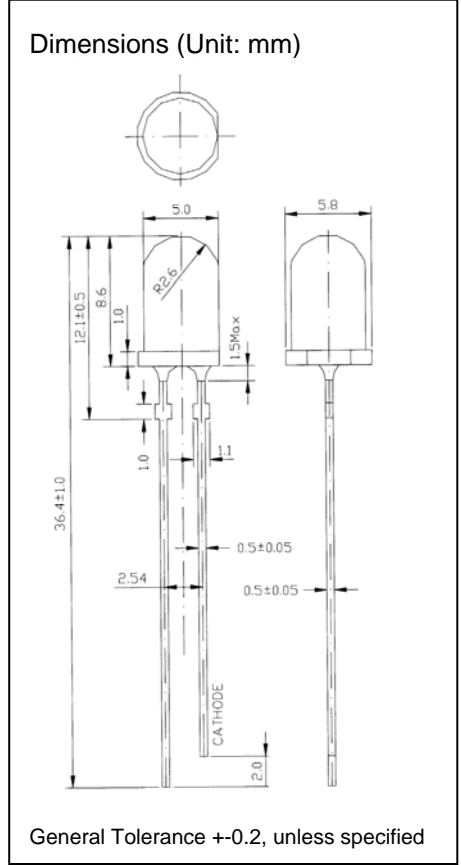


LED

Full Color ϕ 5mm Round LED

FEATURES:

- Viewing angle 23°
- For LED Screen
- UV resistant epoxy



Absolute Max Ratings (Ta=25°C):

Parameter	Symbol	Value	
		Green / Blue	Red
Power Dissipation (mW)	PD	100	125
DC Forward Current (mA)	IF	30	50
Pulsed Forward Current* (mA)	IFP	100	150
Reverse Voltage (V)	VR	5	5
Operating Temperature (°C)	Topr	-30 ~ +80	
Storage Temperature (°C)	Tstg	-40 ~ +100	

* Duty 1/10 Pulse Width 0.1ms

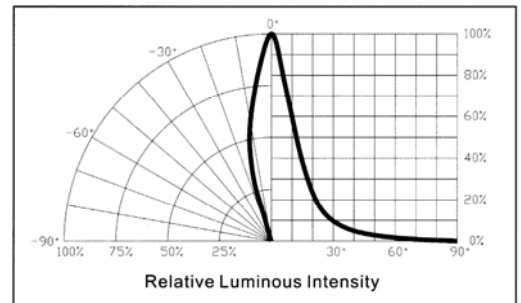
Electrical Optical Characteristics (Ta=25°C):

Part Number	Luminous Intensity (mcd)			Forward Voltage (V)			Dominant Wavelength (nm)			Reverse Current (μ A)	
	Min	Max	IF(mA)	Type	Max	IF(mA)	Min	Max	IF(mA)	Max	VR(V)
R05URCD-S8	1500	2650	20	2.0	2.2	20	620	625	20	5	5
							625	630			
R05FCD-S3	6100	10600	20	3.2	3.6	20	520	525	20	10	5
							525	530			
R05BCD-S2	2000	3500	20	3.2	3.6	20	465	470	20	10	5
							470	475			

Luminous Intensity Rank (mcd)

Red		Green		Blue	
Rank	Data	Rank	Data	Rank	Data
K1	1500-2000	P1	6100-8050	L1	2000-2650
L	1750-2300	Q	7000-9250	M	2300-3050
L1	2000-2650	Q1	8050-10600	M1	2650-3500

Directive Characteristics



Package:

Bulk: 500 pcs/bag

Taping: 2,000 pcs/reel

Precaution in handling:

1. It is advised to keep 3.5mm minimum clearance between the resin and the soldering point when soldering.
2. The user is required to handle with care for the Blue and Green LED's which are sensitive to ESD.