

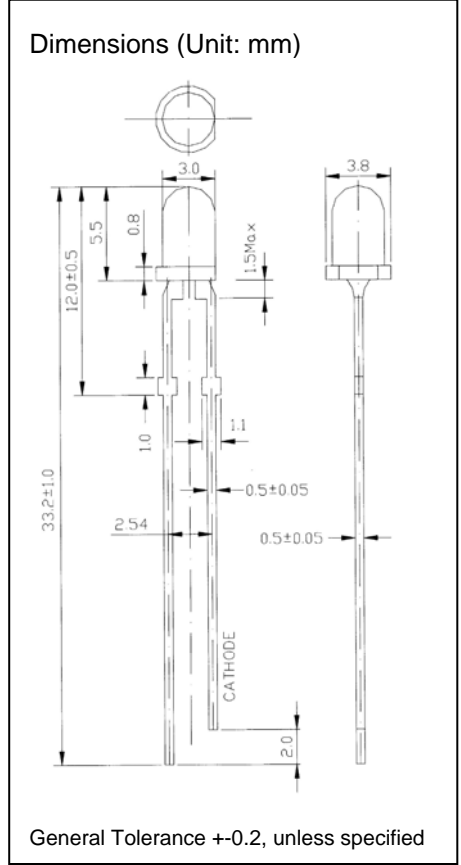


LED

Full Color ϕ 3mm Round LED

FEATURES:

- Viewing angle 30°
- For LED Screen
- UV resistant epoxy



Absolute Max Ratings (Ta=25°C):

Parameter	Symbol	Value	
		Green / Blue	Red
Power Dissipation (mW)	PD	100	125
DC Forward Current (mA)	IF	30	50
Pulsed Forward Current* (mA)	IFP	100	150
Reverse Voltage (V)	VR	5	5
Operating Temperature (°C)	Topr	-30 ~ +80	
Storage Temperature (°C)	Tstg	-40 ~ +100	

* Duty 1/10 Pulse Width 0.1ms

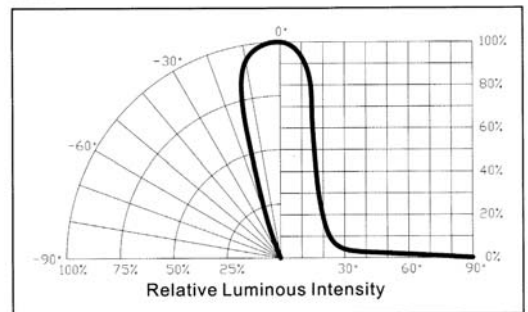
Electrical Optical Characteristics (Ta=25°C):

Part Number	Luminous Intensity (mcd)			Forward Voltage (V)			Dominant Wavelength (nm)			Reverse Current (μA)	
	Min	Max	IF(mA)	Type	Max	IF(mA)	Min	Max	IF(mA)	Max	VR(V)
R03URCE-S1	970	1750	20	2.0	2.2	20	620	625	20	5	5
							625	630			
R03FCE-S1	3500	6100	20	3.2	3.6	20	520	525	20	10	5
							525	530			
R03CE-S1	1500	2650	20	3.2	3.6	20	465	470	20	10	5
							470	475			

Luminous Intensity Rank (mcd)

Red		Green		Blue	
Rank	Data	Rank	Data	Rank	Data
J	970-1300	N1	3500-4600	K1	1500-2000
J1	1120-1500	O	4000-5300	L	1750-2300
K	1300-1750	O1	4600-6100	L1	2000-2650

Directive Characteristics



Package:

Bulk: 500 pcs/bag

Taping: 3,000 pcs/reel

Precaution in handling:

1. It is advised to keep 6.5mm minimum clearance between the resin and the soldering point when soldering.
2. The user is required to handle with care for the Blue and Green LED's which are sensitive to ESD.