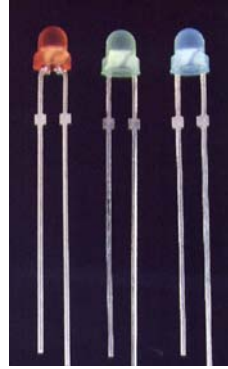




LED

Full Color ϕ 3mm Round LED



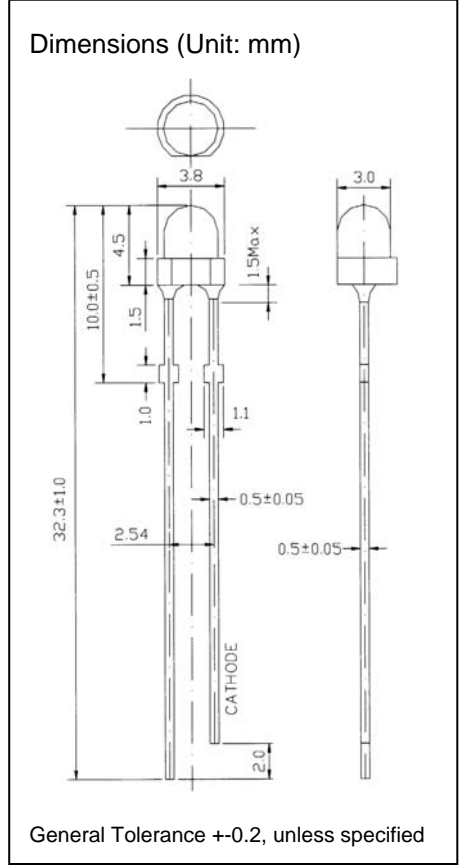
FEATURES:

- Viewing angle 70°
- For LED Screen
- UV resistant epoxy

Absolute Max Ratings (Ta=25°C):

Parameter	Symbol	Value	
		Green / Blue	Red
Power Dissipation (mW)	PD	100	125
DC Forward Current (mA)	IF	30	50
Pulsed Forward Current* (mA)	IFP	100	150
Reverse Voltage (V)	VR	5	5
Operating Temperature (°C)	Topr	-30 ~ +80	
Storage Temperature (°C)	Tstg	-40 ~ +100	

* Duty 1/10 Pulse Width 0.1ms



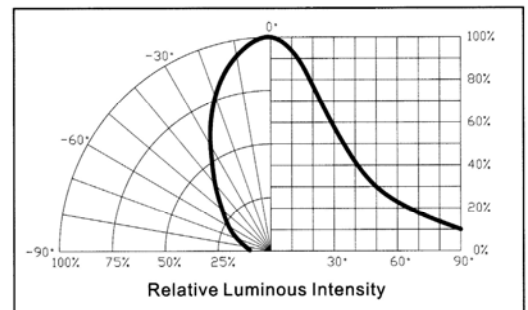
Electrical Optical Characteristics (Ta=25°C):

Part Number	Luminous Intensity (mcd)			Forward Voltage (V)			Dominant Wavelength (nm)			Reverse Current (μA)	
	Min	Max	IF(mA)	Type	Max	IF(mA)	Min	Max	IF(mA)	Max	VR(V)
R03URDK-S1	200	350	20	2.0	2.2	20	620	625	20	5	5
							625	630			
R03FDK-S1	620	1120	20	3.2	3.6	20	520	525	20	10	5
							525	530			
R03BDK-S1	300	535	20	3.2	3.6	20	465	470	20	10	5
							470	475			

Luminous Intensity Rank (mcd)

Red		Green		Blue	
Rank	Data	Rank	Data	Rank	Data
C1	200-260	G1	620-835	E	300-400
D	230-300	H	720-970	E1	350-460
D1	260-350	H1	835-1120	F	400-535

Directive Characteristics



Package:

Bulk: 500 pcs/bag

Taping: 3,000 pcs/reel

Precaution in handling:

1. It is advised to keep 5.5mm minimum clearance between the resin and the soldering point when soldering.
2. The user is required to handle with care for the Blue and Green LED's which are sensitive to ESD.