



LED

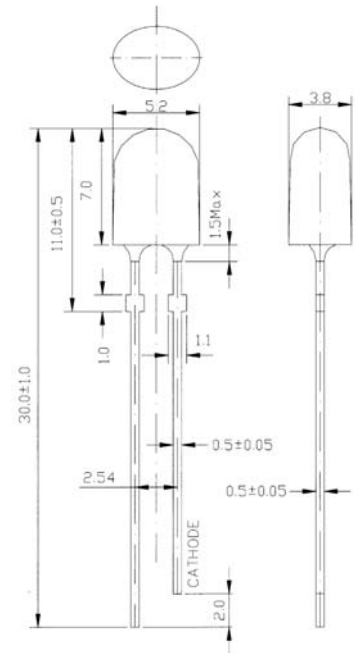
Super Bright H54 Oval LED

FEATURES:

- Viewing angle 110° / 45°
- Higher Luminous Intensity
- For LED Screen
- UV resistant epoxy



Dimensions (Unit: mm)



General Tolerance +0.2, unless specified

Absolute Max Ratings (Ta=25°C):

Parameter	Symbol	Value
Power Dissipation (mW)	PD	125
DC Forward Current (mA)	IF	50
Pulsed Forward Current* (mA)	IFP	150
Reverse Voltage (V)	VR	5
Operating Temperature (°C)	Topr	-30 ~ +80
Storage Temperature (°C)	Tstg	-40 ~ +100

* Duty 1/10 Pulse Width 0.1ms

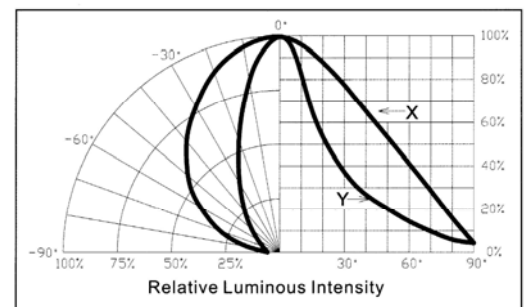
Electrical Optical Characteristics (Ta=25°C):

Part Number	Luminous Intensity (mcd)			Forward Voltage (V)			Dominant Wavelength (nm)			Reverse Current (μA)	
	Min	Max	IF(mA)	Type	Max	IF(mA)	Min	Max	IF(mA)	Max	VR(V)
H54ERDP-S2	835	1500	20	2.0	2.2	20	620	625	20	5	5
							625	630			
H54ARDP-S2	620	1120	20	2.0	2.2	20	620	625	20	5	5
							625	630			
H54TRDP-S1	535	970	20	2.2	2.6	20	620	625	20	5	5
							625	630			

Luminous Intensity Rank (mcd)

Red		Green		Blue	
Rank	Data	Rank	Data	Rank	Data
H1	835-1120	G1	620-835	G	535-720
J	970-1300	H	720-970	G1	620-835
J1	1120-1500	H1	835-1120	H	720-970

Directive Characteristics



Package:

Bulk: 500 pcs/bag

Taping: 2,000 pcs/reel

Precaution in handling:

It is advised to keep 4.0mm minimum clearance between the resin and the soldering point when soldering.