



**LED**

## Super Bright H66 Oval LED

### FEATURES:

- Viewing angle 70° / 35°
- Higher Luminous Intensity
- For LED Screen
- UV resistant epoxy

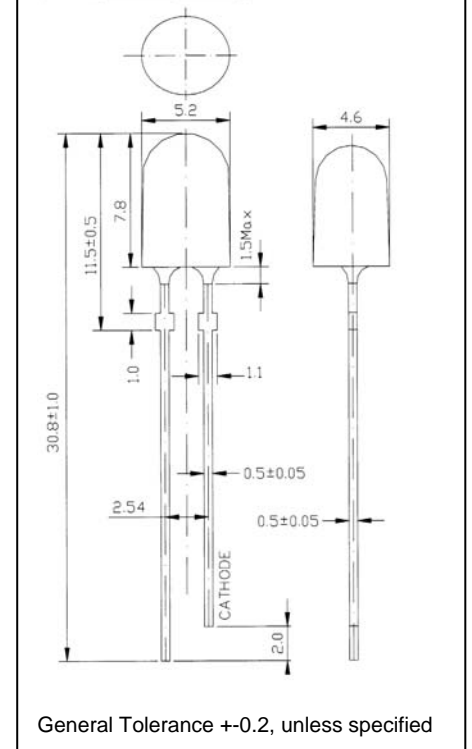


### Absolute Max Ratings (Ta=25°C):

Parameter	Symbol	Value
Power Dissipation (mW)	PD	125
DC Forward Current (mA)	IF	50
Pulsed Forward Current* (mA)	IFP	150
Reverse Voltage (V)	VR	5
Operating Temperature (°C)	Topr	-30 ~ +80
Storage Temperature (°C)	Tstg	-40 ~ +100

\* Duty 1/10 Pulse Width 0.1ms

Dimensions (Unit: mm)



### Electrical Optical Characteristics (Ta=25°C):

Part Number	Luminous Intensity (mcd)			Forward Voltage (V)			Dominant Wavelength (nm)			Reverse Current (μA)	
	Min	Max	IF(mA)	Type	Max	IF(mA)	Min	Max	IF(mA)	Max	VR(V)
H66ERDK-S2	1120	2000	20	2.0	2.2	20	620	625	20	5	5
							625	630			
H66ARDK-S2	970	1750	20	2.0	2.2	20	620	625	20	5	5
							625	630			
H66TRDP-S1	720	1300	20	2.2	2.6	20	620	625	20	5	5
							625	630			

### Luminous Intensity Rank (mcd)

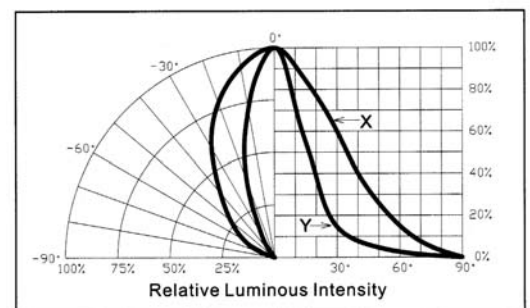
Red		Green		Blue	
Rank	Data	Rank	Data	Rank	Data
J1	1120-1500	J	970-1300	H	720-970
K	1300-1750	J1	1120-1500	H1	835-1120
K1	1500-2000	K	1300-1750	J	970-1300

### Package:

Bulk: 500 pcs/bag

Taping: 3,000 pcs/reel

### Directive Characteristics



### Precaution in handling:

It is advised to keep 3.5mm minimum clearance between the resin and the soldering point when soldering.