

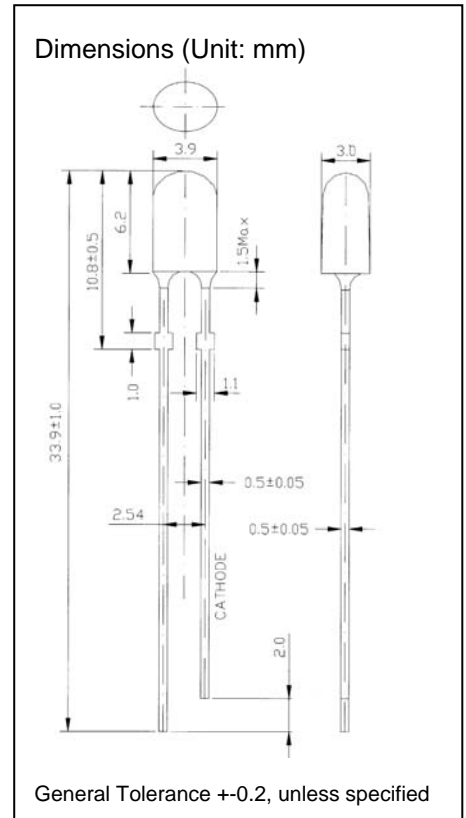


LED

Dual Color H35 Oval LED

FEATURES:

- Viewing angle 70° / 40°
- For LED Screen
- UV resistant epoxy



Absolute Max Ratings (Ta=25°C):

Parameter	Symbol	Value
Power Dissipation (mW)	PD	125
DC Forward Current (mA)	IF	50
Pulsed Forward Current* (mA)	IFP	150
Reverse Voltage (V)	VR	5
Operating Temperature (°C)	Topr	-30 ~ +80
Storage Temperature (°C)	Tstg	-40 ~ +100

* Duty 1/10 Pulse Width 0.1ms

Electrical Optical Characteristics (Ta=25°C):

Part Number	Luminous Intensity (mcd)			Forward Voltage (V)			Dominant Wavelength (nm)			Reverse Current (μA)	
	Min	Max	IF(mA)	Type	Max	IF(mA)	Min	Max	IF(mA)	Max	VR(V)
H35URDK-S1	620	1120	20	2.0	2.2	20	620	625	20	5	5
							625	630			
H35UGDK-S2	200	350	20	2.0	2.2	20	570	573	20	5	5
							573	576			

Luminous Intensity Rank (mcd)

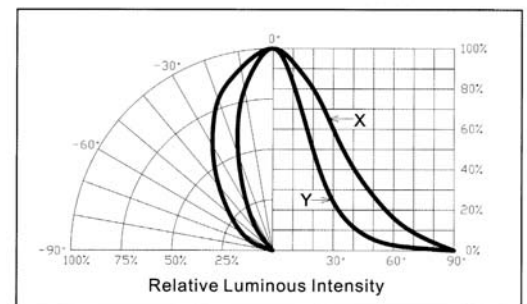
Red		Yellow-Green	
Rank	Data	Rank	Data
G1	620-835	C1	200-260
H	720-970	D	230-300
H1	835-1120	D1	260-350

Package:

Bulk: 500 pcs/bag

Taping: 3,000 pcs/reel

Directive Characteristics



Precaution in handling:

It is advised to keep 4.5mm minimum clearance between the resin and the soldering point when soldering.