

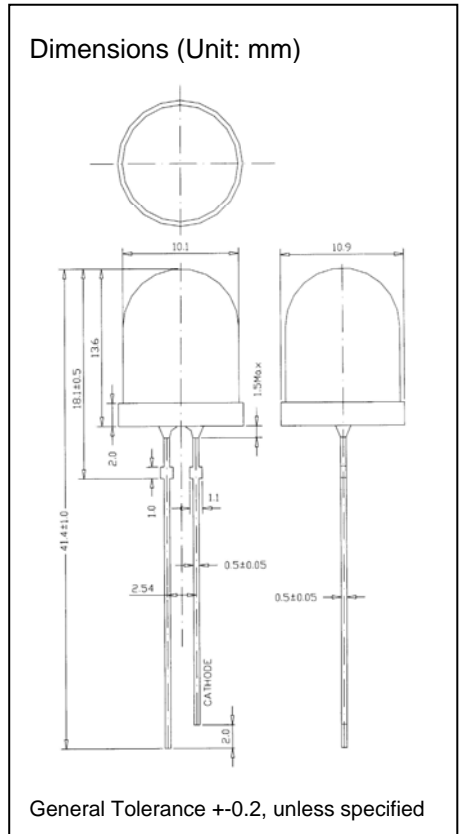


LED

φ 10mm Round Water Clear LED

FEATURES:

- Viewing angle 20°
- For LED light, Indication, illumination
- UV resistant epoxy



Absolute Max Ratings (Ta=25°C):

Parameter	Symbol	Value	
		Green / Blue	Red
Power Dissipation (mW)	PD	100	125
DC Forward Current (mA)	IF	30	50
Pulsed Forward Current* (mA)	IFP	100	150
Reverse Voltage (V)	VR	5	5
Operating Temperature (°C)	Topr	-30 ~ +80	
Storage Temperature (°C)	Tstg	-40 ~ +100	

* Duty 1/10 Pulse Width 0.1ms

Electrical Optical Characteristics (Ta=25°C):

Part Number	Luminous Intensity (mcd)			Forward Voltage (V)			Dominant Wavelength (nm)			Reverse Current (μA)	
	Min	Max	IF(mA)	Type	Max	IF(mA)	Min	Max	IF(mA)	Max	VR(V)
R10URCC-01	3200	7200	20	2.0	2.2	20	620 625	625 630	20	5	5
R10UYCC-01	5500	9300	20	2.0	2.2	20	587 590 593	590 593 596	20	5	5
R10UOCC-01	2500	5500	20	2.0	2.2	20	600 605	605 610	20	5	5
R10BCC-01	1900	3200	20	3.2	3.6	20	465 470	470 475	20	10	5
R10FCC-01	4200	7200	20	3.2	3.6	20	520 525	525 530	20	10	5
R10WCC-01	5500	12000	20	3.2	3.6	20	Typical .x=0.3 Typical .y=0.3		20	10	5

Luminous Intensity Rank:

Pls refer to standard Bin Grade in page LE-**

Package:

Bulk: 200 pcs/bag

Precaution in handling:

1. It is advised to keep 4.5mm minimum clearance between the resin and the soldering point when soldering.
2. The user is required to handle with care for the Blue, Green and White LED's which are sensitive to ESD.

Directive Characteristics

